

Installation instructions for PZ4AL- 09400- 00

LEXUS GS 460

Under Run Protective Shield engine bay



Model Year: **LEXUS GS 460 - 2005**

Vehicle Code: URS190L-BEZQHW

Part Number: PZ4AL-09400-00



Weight: 11.2 kg

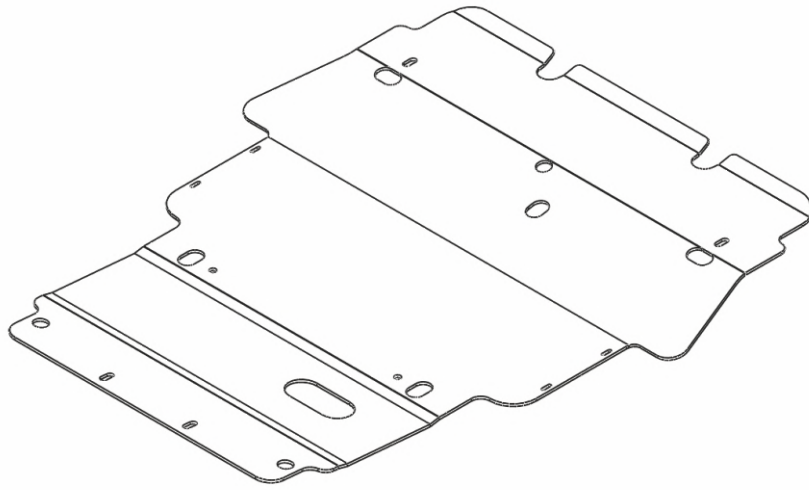


Installation Time: 30 min

Manual reference number: AIM 000-855-00

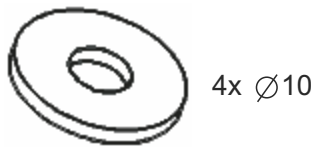
Part number: PZ4AL-09400-00

A



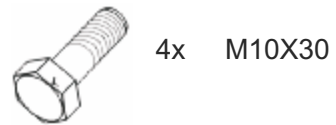
PZ4AL-07690-60

B



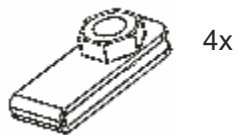
4x Ø10

C



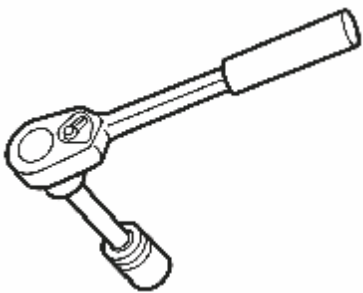
4x M10X30

D



4x

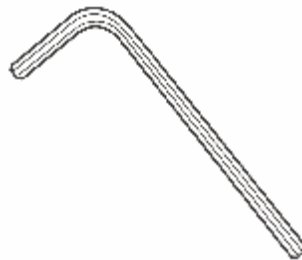
E



F



G



H



Partnumber:
PZ4AL-09400-00

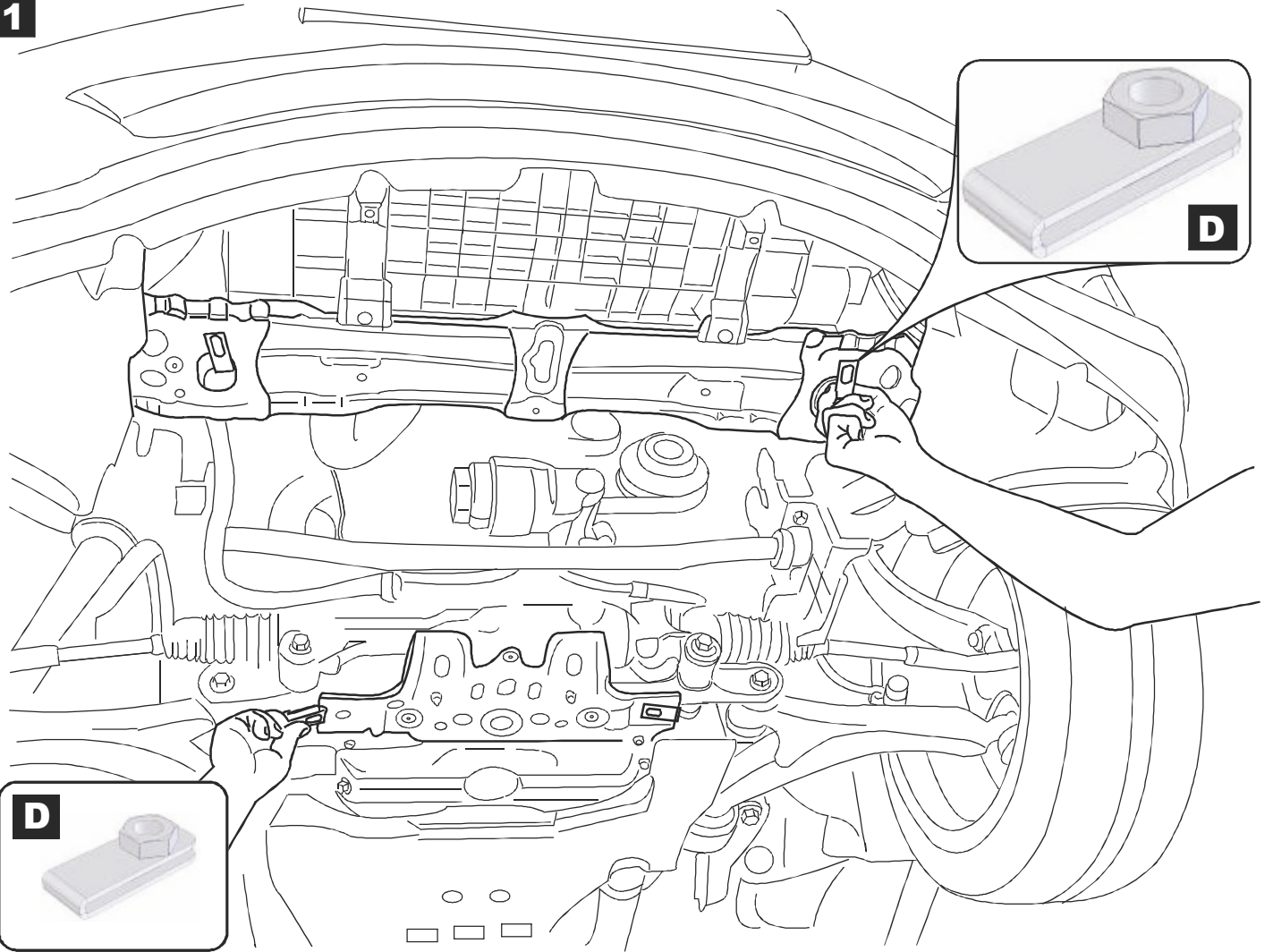
Issue:
0

Date:
19/12/06

Manual reference number:
AIM 000-855-00

Page:
2/3

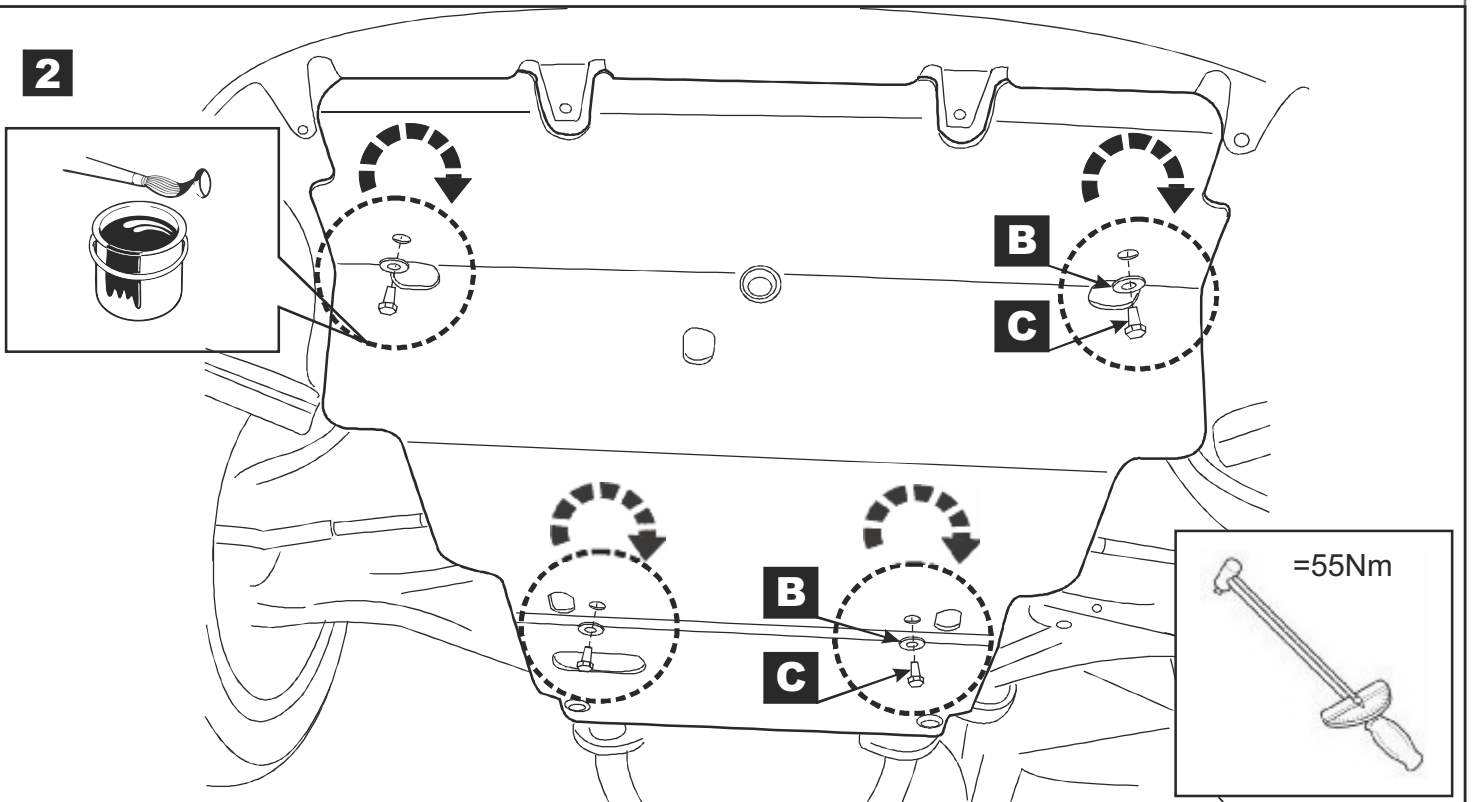
1



D

D

2



B

C

B

C

=55Nm